

- ✓ Oxygen
- ✓ Vacuum
- ✓ Medical Air
- ✓ Nitrous Oxide
- ✓ Nitrogen
- ✓ Carbon Dioxide
- ✓ Anaesthetic Gas Scavenging System

Features

- ✓ Patented Cartridge Valve Design
- ✓ Zero-maintenance secondary check valve
- ✓ Easy to Service
- ✓ Bilingual Labelling
- ✓ Modular Ganging
- ✓ Wall or Ceiling Designs
- ✓ CSA Certified
- ✓ CRN Registered



Specifications

Provide **Class 1** DISS recessed medical gas outlets complete with unitized cartridge type primary check valve, stainless steel ball type secondary check valve, protective dust cap, chrome plated brass outlet body with permanently embossed gas identification, and 3/8" OD Type "K" inlet supply tube.

The entire medical gas outlet nameplate to be permanently colour coded in accordance with CSA Z305.1-M92, labelled in English and French and sealed behind a protective Lexan cover. The outlets to be single modular units designed for ganging of rough-in plates in the field to form multiple units with a centreline spacing of 4.5". The chrome plated trim plates to provide automatic plaster adjustment from 1/2 to 7/8". To prevent leaks within the finished wall, there shall be no rubber o-rings for a gas seal behind the faceplate.

The medical gas outlets shall be designed so that, once installed,

routine service of both the primary and secondary check valves can be accomplished without removing the nameplate or gas specific components. Outlets requiring removal of the nameplate or gas specific components for routine service shall not be acceptable. Outlets requiring gas shut off and routine service of the secondary check valve shall not be acceptable. There shall be no secondary check valve for vacuum service.

The name of the gas service to be permanently embossed on the outlet bracket and the chrome plated brass outlet body.

The medical gas outlets to be capable of supporting dispensing equipment without the use of additional brackets.

The medical gas outlets to be factory cleaned for oxygen service, and capped and sealed in a protective container for shipment.

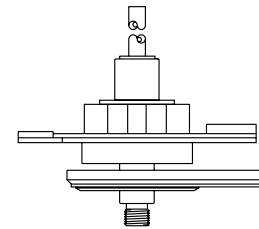
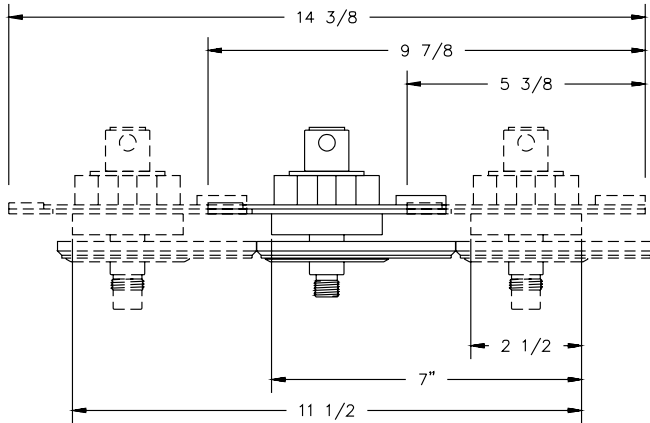
Lexan is a registered trademark of General Electric.

© 1995 - 2005 Class 1 Inc. Updated: March 21, 2005

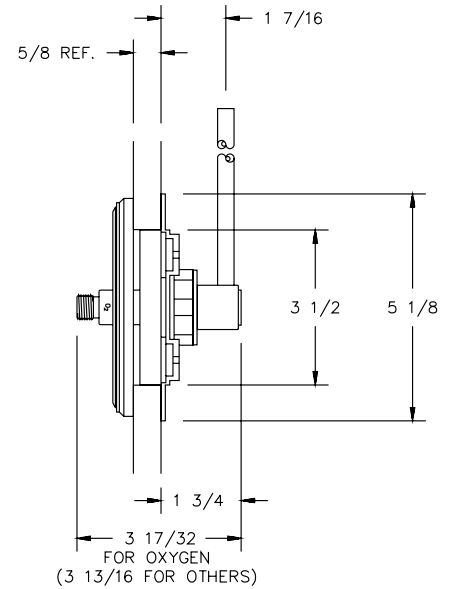
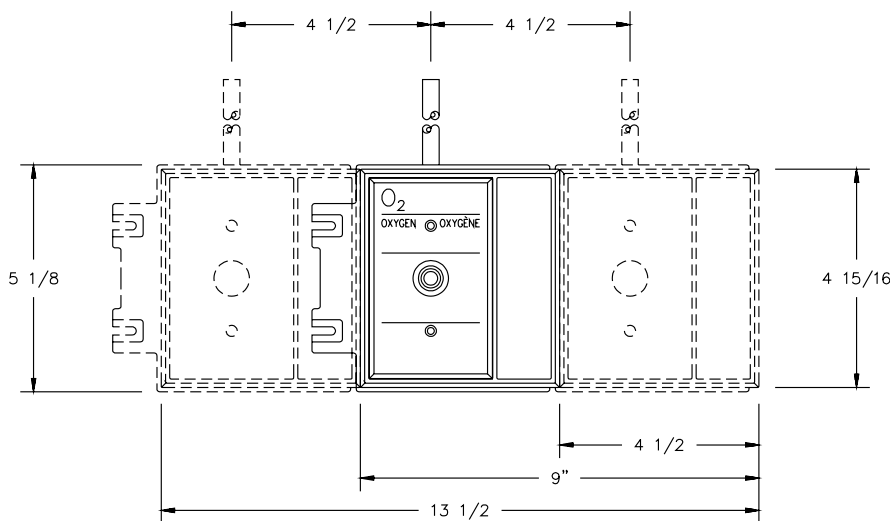
- ✓ Oxygen
- ✓ Vacuum
- ✓ Medical Air
- ✓ Nitrous Oxide

- ✓ Nitrogen
- ✓ Carbon Dioxide
- ✓ Anaesthetic Gas Scavenging System

Dimensions



RECESSED CEILING OUTLET
EXTENSION TUBE POSITION
(SAME VIEW AS SHOWN AT LEFT)



Ordering Information

	Oxygen	Vacuum	Nitrous Oxide	Medical Air	Nitrogen	Carbon Dioxide	Anaesthetic Gas Scavenging System
Recessed Wall	M1124A	M1122	M1104	M1116	M1112	M1108	M1132
Recessed Ceiling	M1224A	M1222	M1204	M1216	M1212	M1208	M1232