



Dual Port Isolation Valve

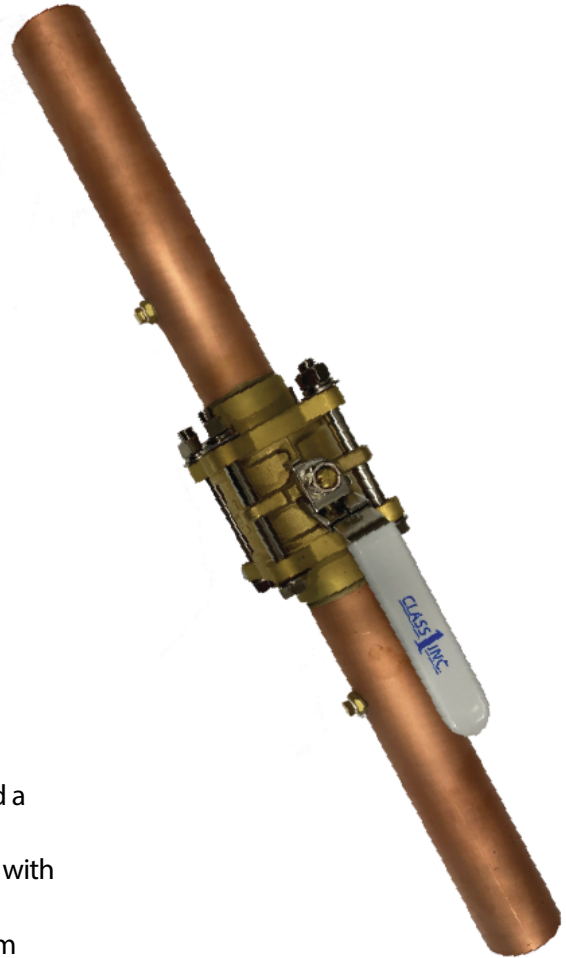
1/2" | 3/4" | 1" | 1 1/4" | 1 1/2" | 2" | 2 1/2" | 3"

Features:

- 3 piece design for ease of maintenance
- 100% pressure tested
- Cleaned for medical gas service
- Blow-out proof system with (PTFE) Seals
- Available in sizes 1/2" to 4"
- Dual port design
- Locking handle

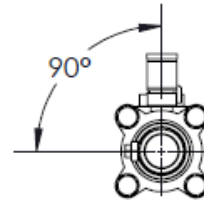
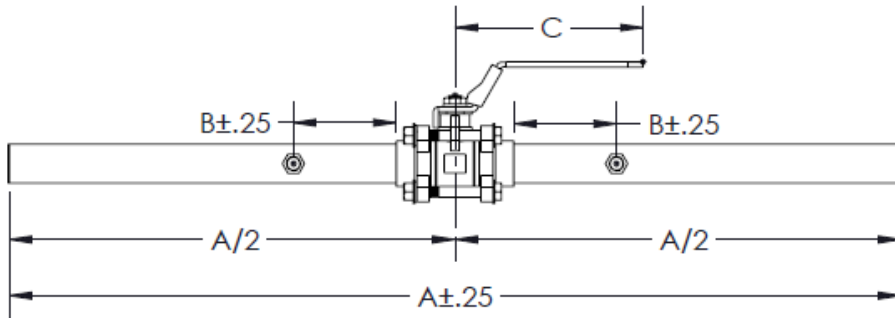
Specifications

- All purge port isolation valves shall be Class 1 Inc.
- The valve shall be 3 piece ball-type design with a brass forging body and a chrome plated brass ball for sizes 1/2" to 4".
- Ball seats, stem seals and stem washer shall be Reinforced Teflon (PTFE), with Viton stem and flange o-rings.
- A blow-out proof stem shall be used and the valve shall have a maximum pressure rating of 600 psi (4,137 kPa).
- Valves shall be operated by a lever-type handle requiring only a quarter turn for a fully open position to a fully closed position.
- Ball valves shall be equipped with type "K" copper pipe stub extensions at both the inlet and outlet sides of the valves port to facilitate installation.
- Valves shall be designed in such a manner that it can be "swung-out" during installation so as to prevent damage due to heat transfer during the brazing operation.
- Each valve assembly shall be washed and degreased for medical gas service. Pipe stub extensions shall be capped at both ends.
- The valve shall be supplied in a sealed plastic bag to prevent contamination prior to installation.
- Compliant with CSA Z7396.1

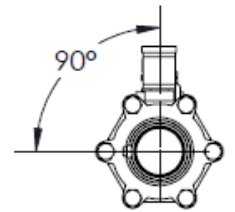


Dual Port Isolation Valves

1/2" | 3/4" | 1" | 1 1/4" | 1 1/2" | 2" | 2 1/2" | 3"



* FOUR BOLTS USED
ON 1/2" thru 2"
VALVES



* SIX BOLTS USED
ON 2-1/2"
thru 4" VALVES

Dimensions

Part #	Pipe Size (Inches)	A	B	C
VLV-42050-01	1/2	26.00	3.00	4.13
VLV-42075-01	3/4	26.00	3.00	4.96
VLV-42100-01	1	26.00	3.00	5.51
VLV-42125-01	1 1/4	26.00	3.00	5.51
VLV-42150-01	1 1/2	26.00	3.00	6.30
VLV-42200-01	2	26.00	3.00	6.30
VLV-42250-01	2 1/2	32.00	3.00	9.05
VLV-42300-01	3	32.00	3.00	9.05