



DISS FRONTALL™ Console & Headwall Outlets

Oxygen | Vacuum | Medical Air | Nitrous Oxide | Nitrogen | Carbon Dioxide

WAGD | Instrument Air

Features

- ✓ Ease of Maintenance
- ✓ Accepts DISS gas specific nut & nipple sets
- ✓ Bilingual Labelling
- ✓ CSA Certified
- ✓ CRN Registered
- ✓ Pin indexed faceplate and back
- ✓ Removable front assembly
- ✓ 360° swivel inlet tube
- ✓ Metal back and nameplate
- ✓ Provides support for dispensing equipment without the use of additional brackets

Specifications

The Class 1 Inc. Frontall™ medical gas console and headwall outlets represent the most technically advanced means of providing medical gas connections to the central piping system. The outlets incorporate a unique front-loaded valve cartridge feature which makes the outlet easy to repair, saving valuable time and money.

The outlets shall be modular singles, and shall incorporate nameplate colour coding in accordance with CSA Z305.1 / Z7396.1 / NFPA99.

The medical gas outlets shall be designed so that, once installed, routine service of both the primary and secondary check valves can be accomplished without removing the nameplate or gas specific portions. The primary check valve shall be utilized and of the cartridge type. So that the primary check valve can be removed for service without shutting off the gas supply to the outlet, the secondary check valve shall operate automatically to stop the free flow of the pressure gas. There shall be no secondary check for vacuum or WAGD services. Medical gas outlets which require the removal of the nameplate or gas specific components for routine service shall not be acceptable. The seal between the nameplate and the rough-in shall be a double O-ring which is serviceable without shutting off the gas service and is capable of supporting 10 pounds @ 2" from the nameplate without leaking.



The outlet nameplate shall be permanently colour coded. The outlet trim plate part # XC1000-10 (optional - shown below) shall be a durable plastic, scratch resistant, attached with the nameplate to the rough-in assembly. The name of the gas service shall be permanently marked on the outlet bracket and the outlet. The outlet's rough-in supply tube shall be a 7 inch (18 cm) length of 1/2 OD copper Type K, and labelled with the name of the gas service.

Medical gas outlets shall be cleaned for oxygen service in accordance with the current Compressed Gas Association (CGA) Pamphlet G-4.1, capped and placed in a protective container for shipment. The outlets shall be installed in strict accordance with manufacturer's instructions, and tested before use in conformance with local and federal codes.



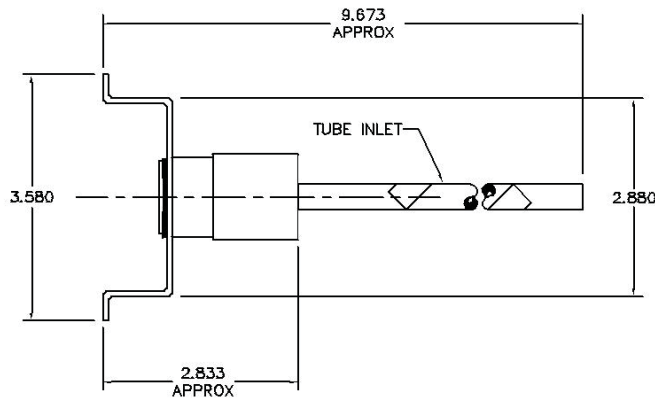
XM5722 with XC1000-10 trim plate



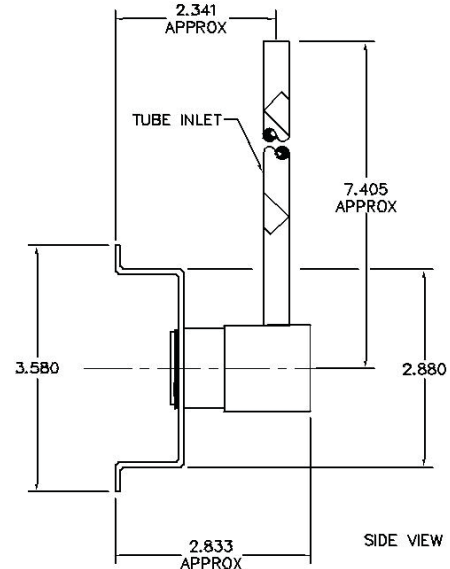
DISS FRONTALL™ Console & Headwall Outlets

Oxygen | Vacuum | Medical Air | Nitrous Oxide | Nitrogen | Carbon Dioxide
WAGD | Instrument Air

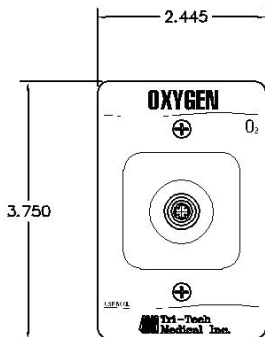
Layout



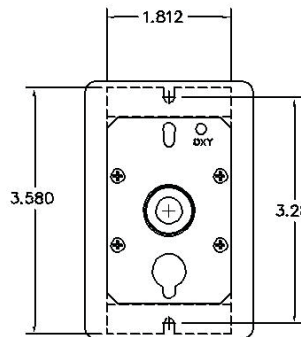
XF56 SERIES



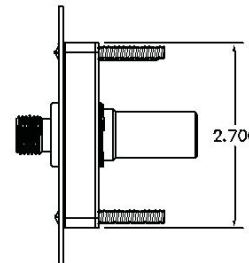
XF57 SERIES



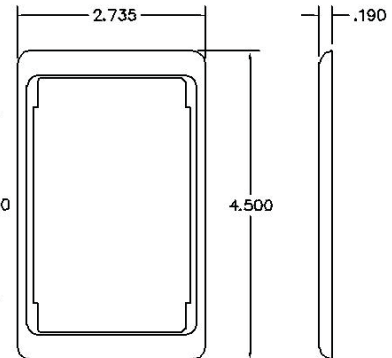
FRONT VIEW
FRONT
ASSEMBLY



BACK VIEW
FRONT
ASSEMBLY



SIDE VIEW
FRONT
ASSEMBLY



OPTIONAL TRIM PLATE
XC1000-10

Ordering Information

DISS Ceiling Column Outlets

Medical Air	Nitrous Oxide	Oxygen	Medical Vacuum	Nitrogen	WAGD	Carbon Dioxide	Instrument Air
XM5616	XM5604	XM5624A	XM5622	XM5612	XM5632	XM5608	XM562080

*Tube size: 1/2 OD

DISS Console Outlets

Medical Air	Nitrous Oxide	Oxygen	Medical Vacuum	Nitrogen	WAGD	Carbon Dioxide	Instrument Air
XM5716	XM5704	XM5724A	XM5722	XM5712	XM5732	XM5708	XM572080

*Tube size: 1/2 OD

Updated: November 12, 2010 © 1997-2010